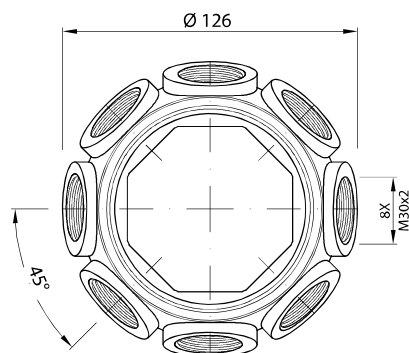
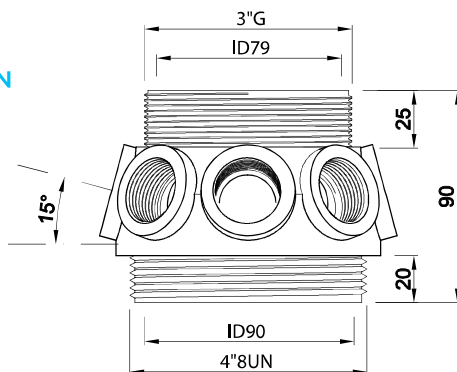


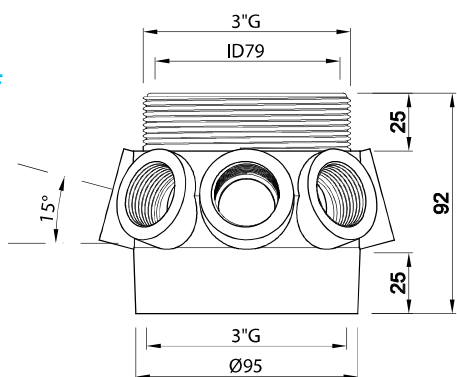
Collettori - accessori e componenti per collettori 8 e 16 vie

Collectors - accessories and components for 8 and 16 way collectors

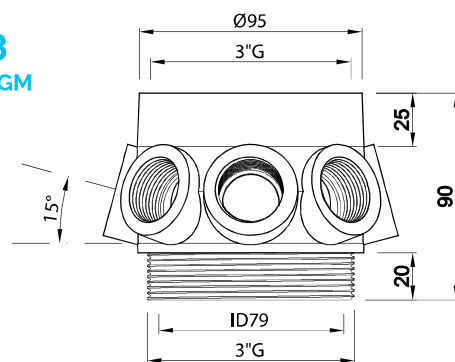
CS08
3" GM x 4" 8UN



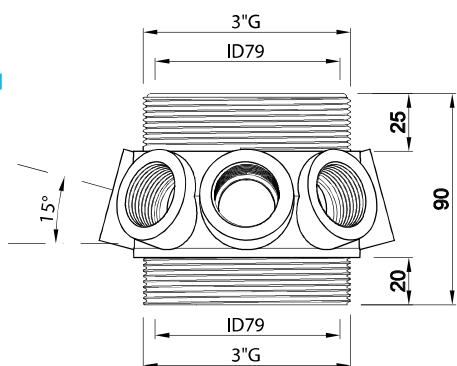
CS08
3" GM x 3" GF



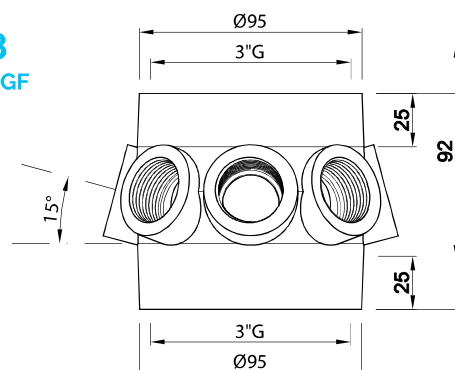
CS08
3" GF x 3" GM



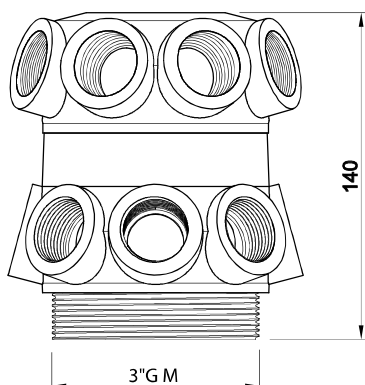
CS08
3" GM x 3" GM



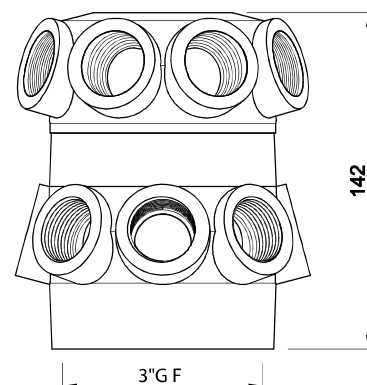
CS08
3" GF x 3" GF



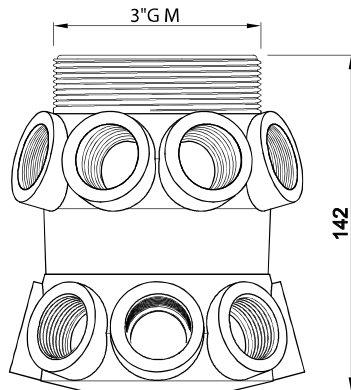
CSI16M
CSI08
+
CS08 3" GF x 3" GM



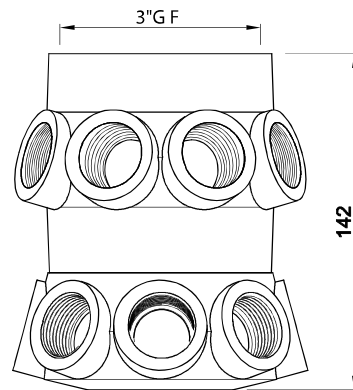
CSI16F
CSI08
+
CS08 3" GF x 3" GF



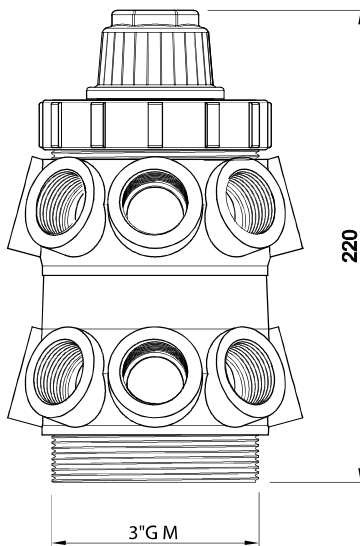
CST16M
CST08
+
CS08 3" GM x 3" GF



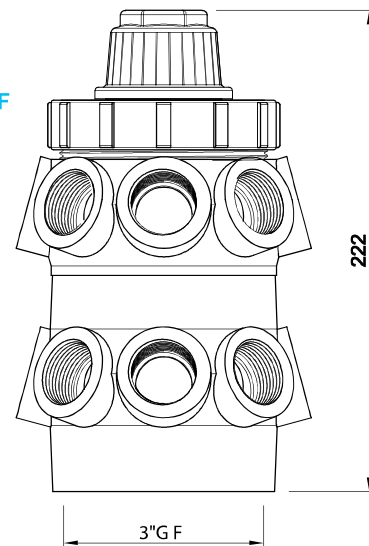
CST16F
CST08
+
CS08 3" GF x 3" GF



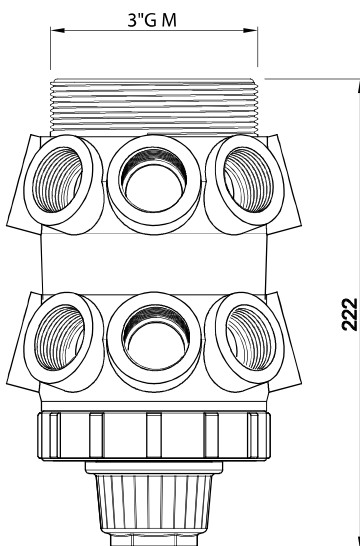
CSG16M
CSG08
+
CS08 3" GF x 3" GM



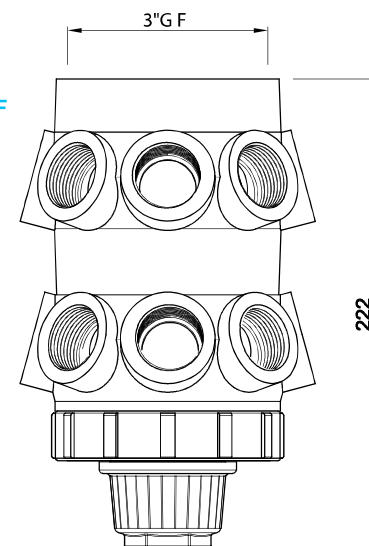
CSG16F
CSG08
+
CS08 3" GF x 3" GF



CSD16M
CSD08
+
CS08 3" GM x 3" GF



CSD16F
CSD08
+
CS08 3" GF x 3" GF

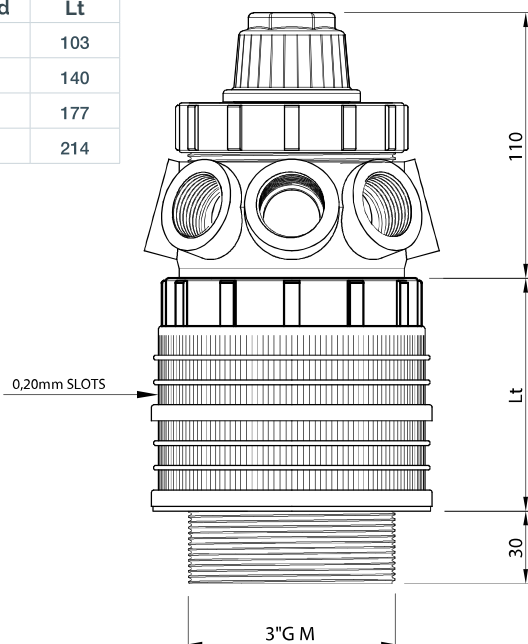


Collettori - accessori e componenti per collettori 8 e 16 vie

Collectors - accessories and components for 8 and 16 way collectors

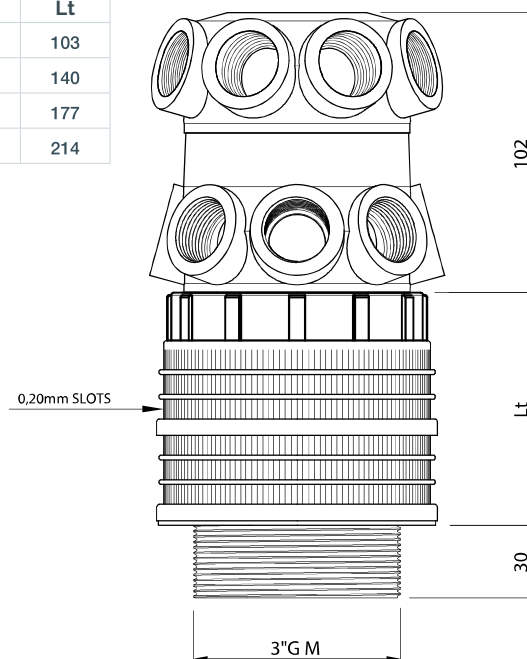
CSGo8 E

Head	Lt
E2	103
E3	140
E4	177
E5	214

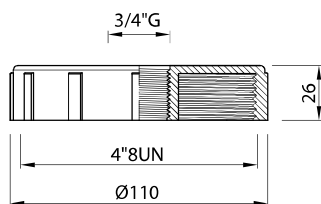


CS16 E

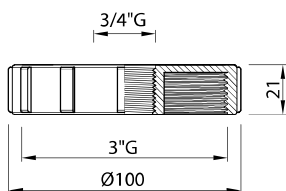
Head	Lt
E2	103
E3	140
E4	177
E5	214



CSC - 4\"/>

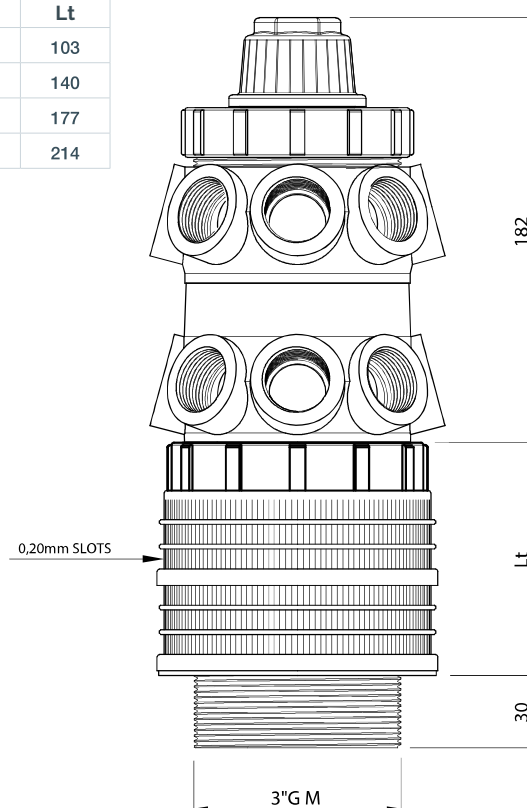


CSC - 3\"/>

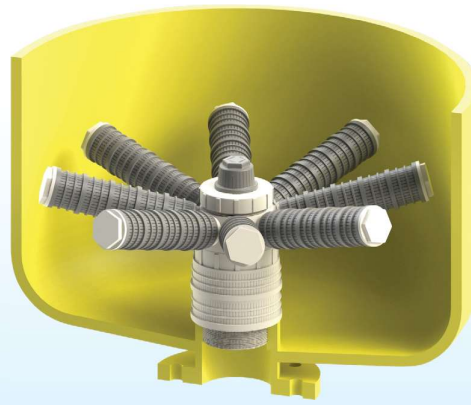
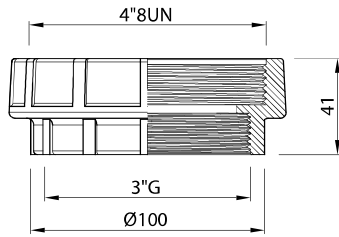


CSG16 E

Head	Lt
E2	103
E3	140
E4	177
E5	214

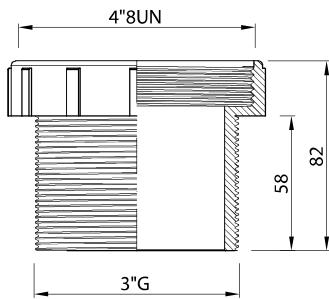


RIF - 4"8UN F x 3"GF



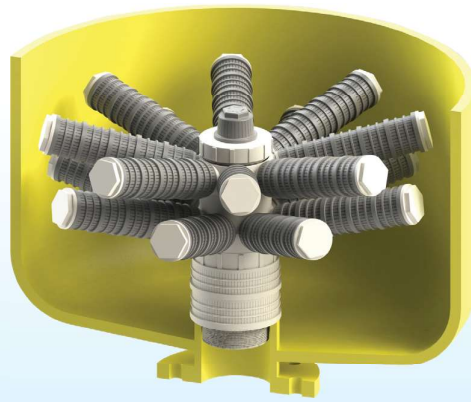
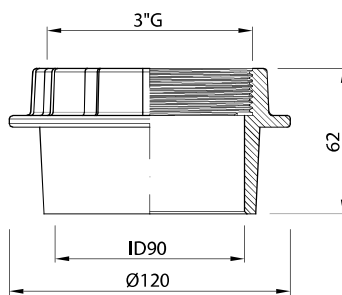
CSG08 E

RID - 4"8UN F x 3"GM



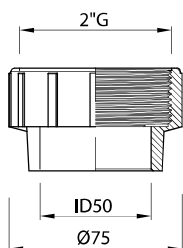
CSG16

RIF - 3"GF x D90



CSG16 E

RIF - 2"GF x D50



CSI 16