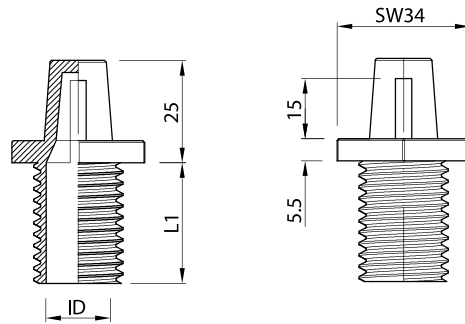
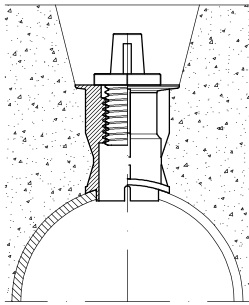


# B Ugelli per Biotunnel

## Biotunnel nozzles



- **Particolarmente indicato per distribuire aria in Bio tunnel**


- Suitable for air distribution in Bio tunnel

**Materiale**  
Material

PP

PPFV

PVDF

Modello Model	Fessura Slot width mm	N° Fessure Slots n°	Area mm <sup>2</sup>	Colore Colour
<b>B</b>	4,00	2	120	

**Ugello con certificazione ACS/MOCA prodotto PP Naturale (Bianco) - Ugello in PPFV30% prodotto Naturale (Avorio) - Ugello in PVDF prodotto Naturale (Bianco)**

Nozzle with ACS/MOCA certification produced PP Natural (White) - Nozzle in PPFV30% produced Natural (Ivory) - Nozzle in PVDF produced Natural (White)

Filetto Thread	mm	ID Standard mm	Area codolo Stem area mm <sup>2</sup>	L1 - Lunghezza filetto Thread length mm
				mm
15/16" W	23,8	17	227	30

### ORDINE - ORDER

Modello Model	Fessura Slot width	Filetto Thread	ID mm	L1 mm	L2 mm	L3 mm	Materiale Material
B	2,00	15/16"W	17	30	30	0	PP